

Why Use DrumQuik PRO?

Safety: Minimize spills, fumes and environmental impact

Performance: High flow capacity

Easy: Intuitive locking ring design for quick connection

Durability: Built to withstand harsh operating conditions

FDA Materials: Suitable for transfer of food products

Vapor Management: Ported vent allows control of fumes, blanket gas connection or pressure dispensing

Economic: Low cost for high volume, single-trip containers

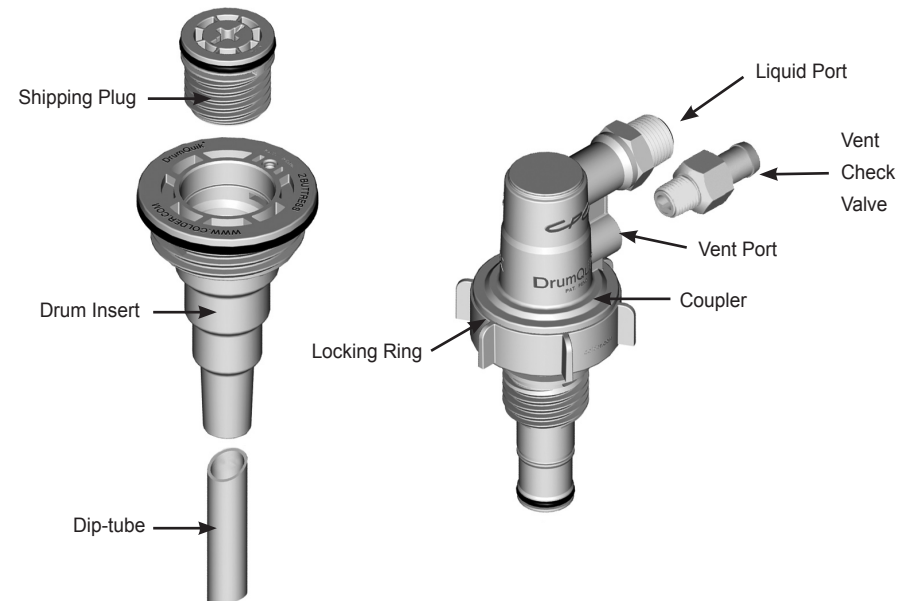
Recyclable Materials: Allow easy disposal with containers



DrumQuik® PRO

Dispensing System for Professional Chemical Management

SYSTEM INSTALLATION GUIDE



Chemical Dispensing Made Easy
Simple steps to install and use the DrumQuik® PRO



Colder Products Company
1001 Westgate Drive
St. Paul, Minnesota 55114
U.S.A.

Phone: 651-645-0091
Fax: 651-645-5404
Toll Free: 800-444-2474
info@colder.com
www.colder.com

Colder Products Company GmbH
Schmalweg 50
D-55252 Mainz-Kastel
Germany

Phone: +49-6134-2878-0
Fax: +49-6134-2878-28

cpcgmbh@colder.com
www.colder.com

Colder Products Company Limited
Room 1503, 15/F, SBI Center
54 – 58 Des Voeux Road Central
Hong Kong

Phone: 852-2987-5272
Fax: 852-2987-2509

asiapacific@colder.com
www.colder.com

Installation

The DrumQuik® PRO drum insert assembly replaces one of the drum's bung plugs and is torqued and shipped as part of the drum package.



1. Fully press dip-tube into drum insert socket.



2. Place the drum insert assembly in drum.



3. Torque insert with drum wrench or 1/2" drive torque wrench and a Colder torque socket tool (Colder PN 2408900).

Note: Contact factory for torque recommendations.

Dispensing

Remove the shipping plug from the drum insert assembly, then connect the DrumQuik PRO coupler, locking it into place.



1. Turn shipping plug counterclockwise to remove. (Use a large, flat blade or #4 Phillips screwdriver.)



2. Insert coupler into drum insert assembly.



3. Turn the coupler locking ring clockwise until stop is reached (approximately 2 full turns); valve is opened during this process.

Vapor Management

Three vapor management options:

1. Fully open to vent vapors to the atmosphere.
2. Connect Colder check valve (Colder PN 2879800) to allow make-up air in, without allowing fumes to escape.
3. Connect a Colder quick disconnect coupling for blanket gas (N₂, CO₂) or for pressure dispensing.



1. Vent port fully open.



2. Vent port outfitted with Colder check valve.



3. Vent port shown with Colder quick disconnect coupling.