



Patented

Actual size

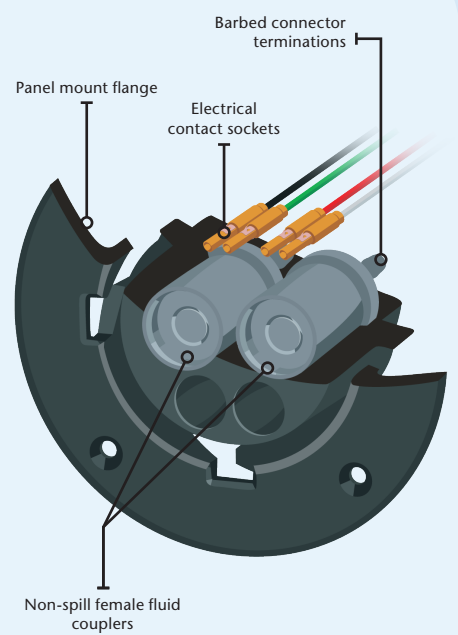
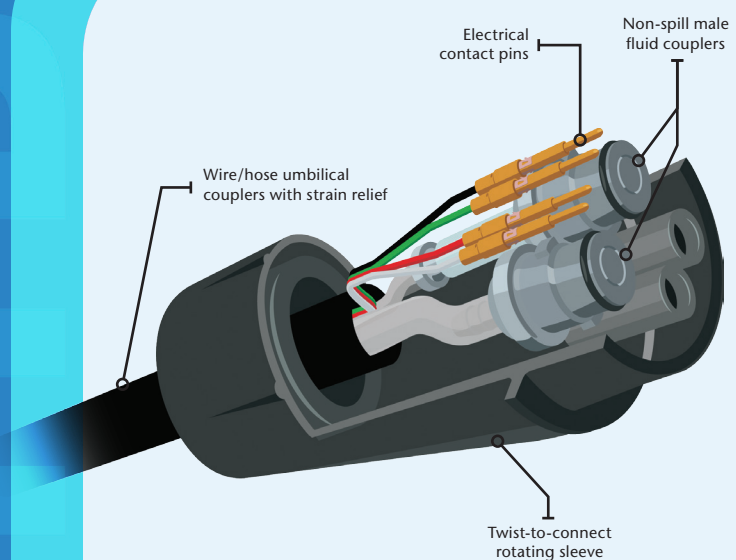
# HYBRID CONNECTORS

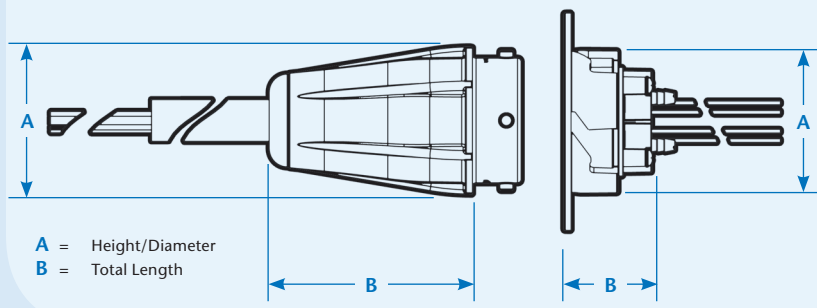
**The Hybrid from Colder** eliminates the need for multiple connections and simplifies the user interface between remote tools and a device. Featuring an easy-to-use twist latch to securely connect everything in one simple motion, technicians can quickly change or replace modular tools, umbilicals or hand pieces that require a combination of power, signal, air or fluids.

Featuring dry-break technology, the Hybrid Connector now allows designers to confidently specify a single connector for both their fluids and electronics. The streamlined interface allows design engineers to adapt the product to their needs. Save your valuable engineering resources with this off-the-shelf, turnkey solution or a customized version for your specific application.

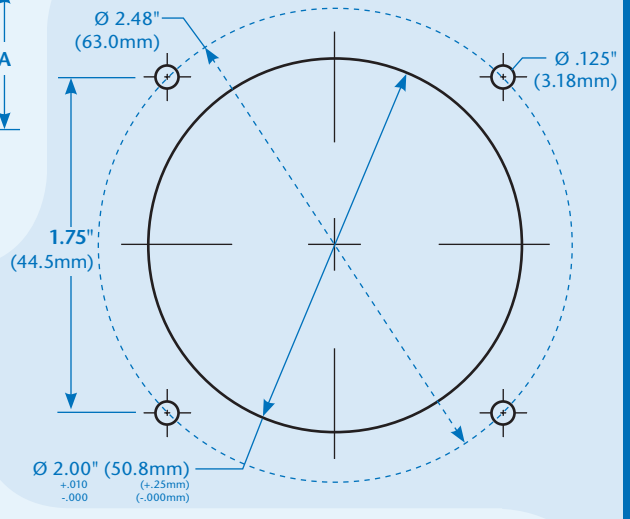
Features	Benefits
Single connection point for pneumatic, fluid, data and power connections between a device and its tool/hand piece	Increases safety and makes systems more user friendly
Non-spill shutoff valves with dry-break technology	Eliminate fluid drips upon disconnect and minimize air inclusion
Turnkey solution	Reduces multiple components
Off-the-shelf assembly	Minimizes engineering design and manufacturing effort
Custom options	Designed to meet your unique requirements

Visit us at [www.colder.com](http://www.colder.com) or call 651-645-0091 to get a free catalog CD or to find your local distributor.





### Product Dimensions



### Connector Specifications

**Pressure:** Vacuum to 15 psi, 1.0 bar

**Temperature:** 40°F to 100°F (4°C to 38°C)

**Materials:**

**Non-wetted coupler components:**  
Glass-filled polypropylene and acetal

**Wetted coupler components:**  
Glass-filled polypropylene

**Springs:** Stainless steel

**Electrical contacts:** Gold-plated brass

**O-rings:** EPDM

**Tubing:** PVC

**Color:** Black

**Panel Terminations:** Two 1/8" (3.2mm) hose barbs on panel and four 20 ga wires with 12" (304.3mm) pigtail

**Hose Terminations:** 8' (2.44M) umbilical with one 1/8" (3.2mm) ID & one 1/16" (1.6mm) ID PVC tube and four 20ga wires with 3" (76.2mm) pigtail

**Number of fluid lines:** 2

### Electrical Specifications

**Voltage:** Up to 24VDC

**Current:** Up to 3 Amps

**Wire gauge:** 20AWG

**Number of contacts:** 4

### Coupling Hose

## POLYPROPYLENE



CONFIGURATION	FLOW PATH 1	FLOW PATH 2	PART NO.	A	B
HOSE	1/8" ID (3.2mm)	1/16" (1.6mm)	HQC17001	2.00 (50.8mm)	2.80 (71.1mm)

### Coupling Panel



CONFIGURATION	FLOW PATH 1	FLOW PATH 2	PART NO.	A	B
PANEL MOUNT	1/8" ID (3.2mm)	1/8" ID (3.2mm)	HQC42000	1.96 (49.8mm)	1.12 (28.4mm)

Visit us at [www.colder.com/hybridmovie](http://www.colder.com/hybridmovie) or scan the QR code with your smart phone to navigate directly to a web page where you can view the Hybrid Technology.



**Colder Products Company**  
1001 Westgate Drive  
St. Paul, Minnesota 55114  
U.S.A.

Phone: 651-645-0091  
Fax: 651-645-5404  
Toll Free: 800-444-2474  
info@colder.com  
[www.colder.com](http://www.colder.com)

**Colder Products Company GmbH**  
Schmalweg 50  
D-55252 Mainz-Kastel  
Germany

Phone: +49-6134-2878-0  
Fax: +49-6134-287828  
cpcgmbh@colder.com  
[www.colder.com](http://www.colder.com)

**Colder Products Company Limited**  
Flat B, 29/F, West Gate Tower,  
7 Wing Hong Street, Cheung Sha Wan,  
Hong Kong

Phone: 852-2987-5272  
Fax: 852-2987-2509  
asiapacific@colder.com  
[www.colder.com](http://www.colder.com)

WARRANTY: All sales are subject to Colder Products Company's limited express warranty set forth in the Colder catalog. Contact your local distributor or Colder Customer Service for warranty provisions.  
Warning: Due to the wide variety of possible fluid media and operating conditions, unintended consequences may result from the use of this product, all of which are beyond the control of Colder. It is the user's responsibility to carefully determine and test for compatibility for use with their application. All such risks shall be assumed by the buyer.